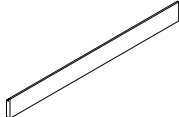
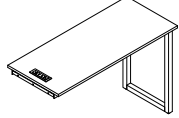
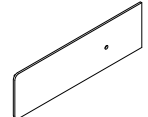
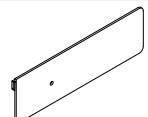
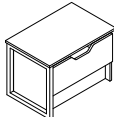
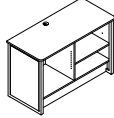
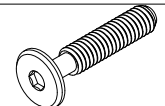


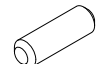
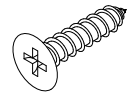
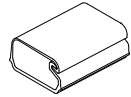


MATERIAL LIST					
PART CALLOUT:	PART:	DESCRIPTION:	QTY:	BOXED?	PACK #
(A)		WALL CLEAT	3	<input type="checkbox"/>	
(B)		X-216 - DESK	1	<input type="checkbox"/>	
(C)		X-217-129 - LEFT BACK PANEL	1	<input type="checkbox"/>	
(D)		X-217-129 - RIGHT BACK PANEL	1	<input type="checkbox"/>	
(E)		X-218 - LUGGAGE BENCH	1	<input type="checkbox"/>	
(F)		X-219 - TV CABINET	1	<input type="checkbox"/>	
PACKED BY:	EMPLOYEE ID#: _____				

HARDWARE LIST						
PART CALLOUT:	PART:	ARTONE PART #:	DESCRIPTION:	QTY:	BOXED?	PACK #
(1)		XX-13993	1/4-20 x 50mm BLACK BOLT	5	<input type="checkbox"/>	
(2)		XX-14045	1/4-20 HEX NUT	3	<input type="checkbox"/>	
(3)		XX-14046	1/4-20 WASHER	3	<input type="checkbox"/>	
(4)		X-662	ALIGNMENT DOWEL	2	<input type="checkbox"/>	
(5)		70328	#8 x 5/8" (PPH) SCREW	5	<input type="checkbox"/>	
(6)		XX-13012	WIRE MANAGEMENT CLIP	2	<input type="checkbox"/>	
PACKED BY:	EMPLOYEE ID#: _____					

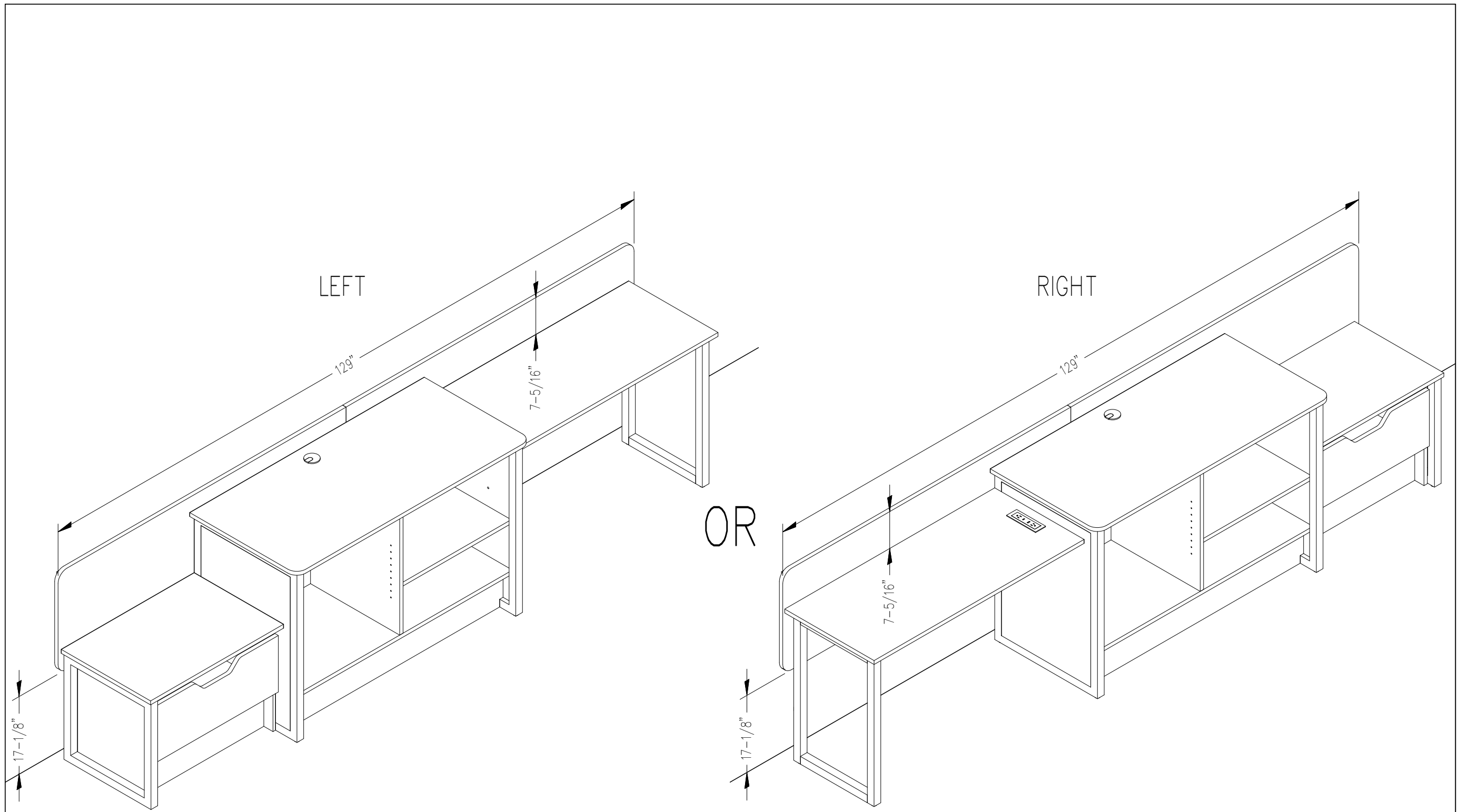


1089 Allen Street  
 Jamestown, NY 14701  
 Phone 716.664.2232  
 Fax 716.664.1511



DESK UNIT  
 (X-216, X-217-129,  
 X-218, X-219)  
 HARDWARE/MATERIAL

Original Issue:  
 2/20/26  
 Scale:  
 N/A  
 Job No.:  
 SL.417  
 Drawn:  
 AB  
 Drawing:  
 HRDW/MATL



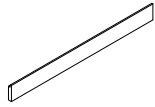
1089 Allen Street  
 Jamestown, NY 14701  
 Phone 716.664.2232  
 Fax 716.664.1511

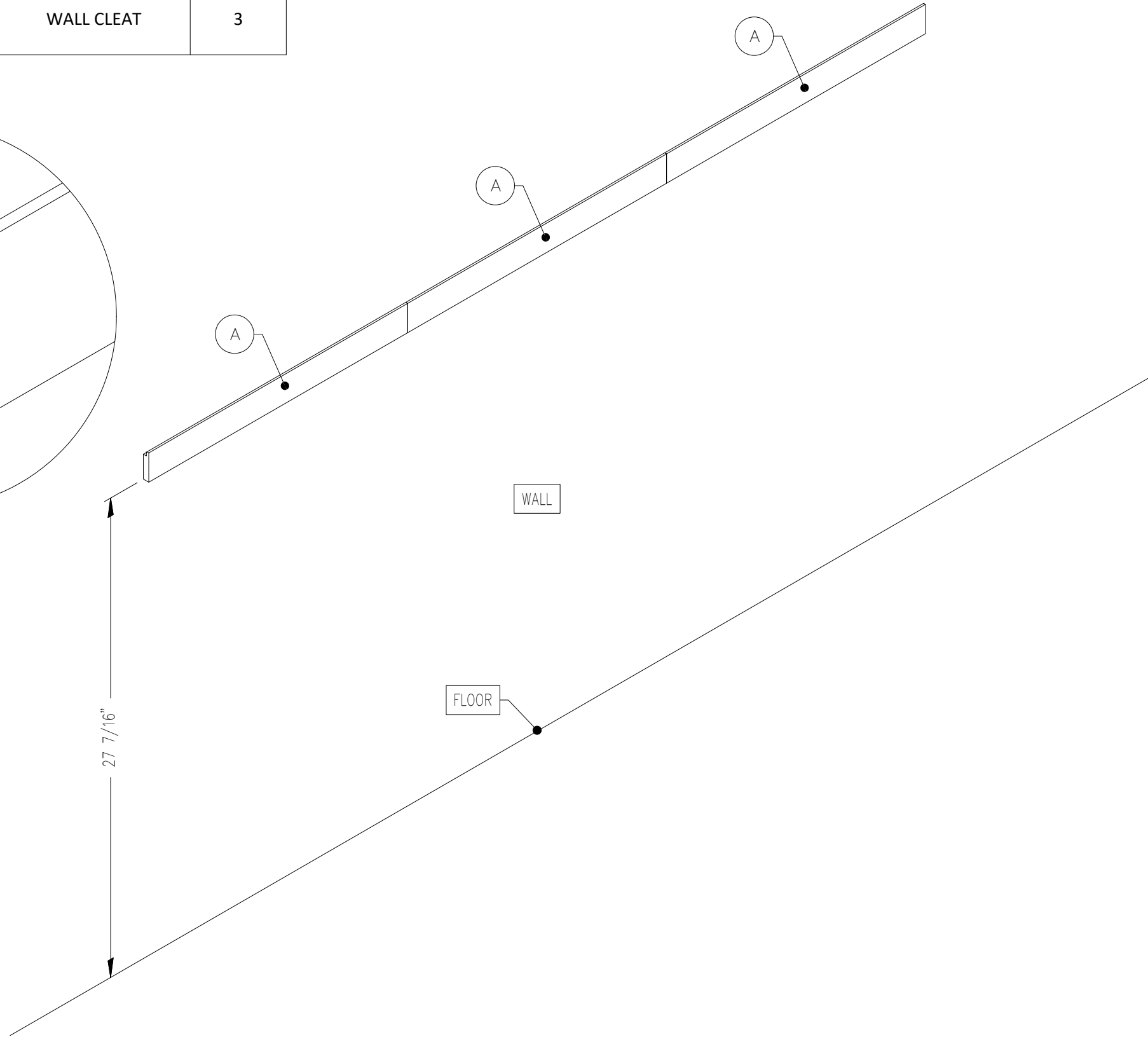
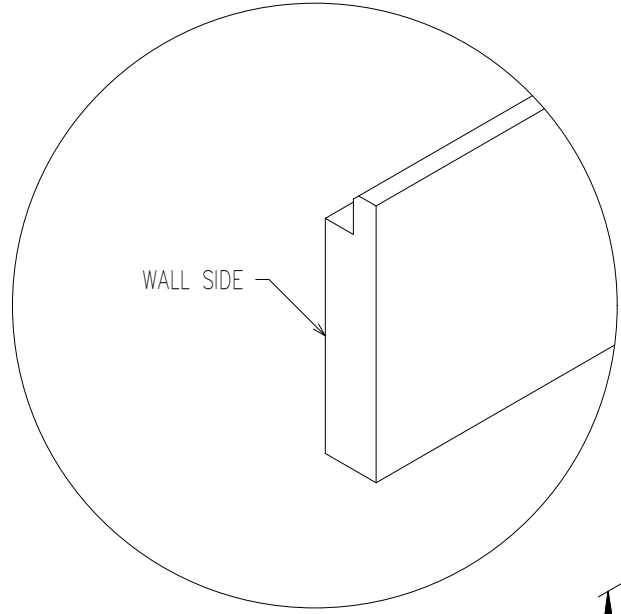
**ARTONE**  
 FURNITURE BY DESIGN

DESK UNIT  
 (X-216, X-217-129,  
 X-218, X-219)  
 FULLY ASSEMBLED

Original Issue:  
 2/20/26  
 Scale:  
 AS NOTED  
 Job No.:  
 SL.417  
 Drawn:  
 AB

Drawing:  
 FULL ASSY

PART CALLOUT:	PART:	DESCRIPTION:	QTY:
A		WALL CLEAT	3



1089 Allen Street  
 Jamestown, NY 14701  
 Phone 716.664.2232  
 Fax 716.664.1511



DESK UNIT  
 (X-216, X-217-129,  
 X-218, X-219)  
 STEP 1

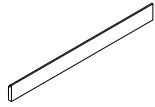
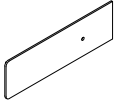
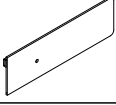
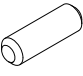
Original Issue:  
 2/20/26

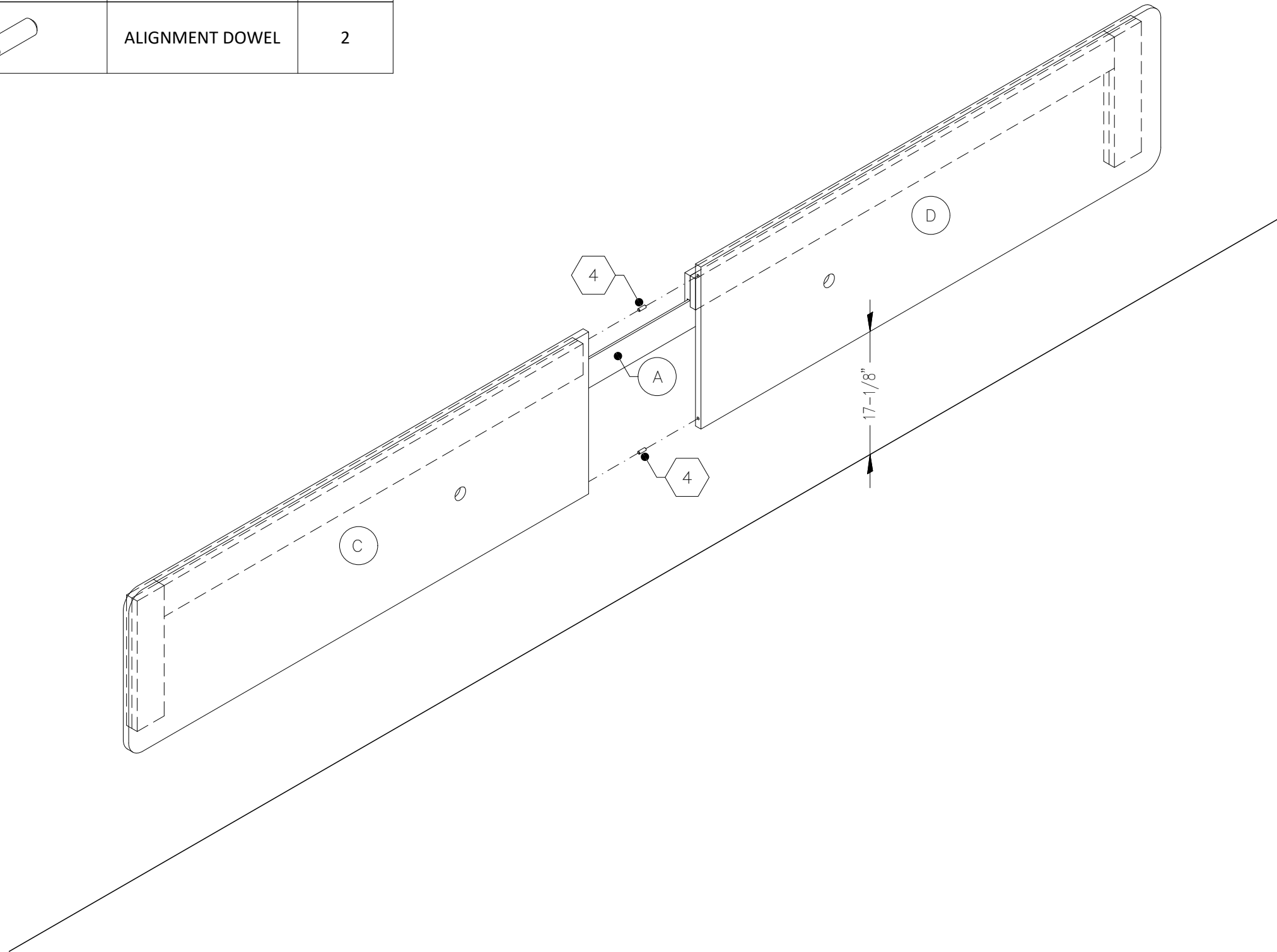
Scale:  
 AS NOTED

Job No.:  
 SL.417

Drawn:  
 AB

Drawing:  
 STEP 1

PART CALLOUT:	PART:	DESCRIPTION:	QTY:
A		WALL CLEAT	3
C		X-217-129 - LEFT BACK PANEL	1
D		X-217-129 - RIGHT BACK PANEL	1
4		ALIGNMENT DOWEL	2



1089 Allen Street  
 Jamestown, NY 14701  
 Phone 716.664.2232  
 Fax 716.664.1511



DESK UNIT  
 (X-216, X-217-129,  
 X-218, X-219)  
 STEP 2

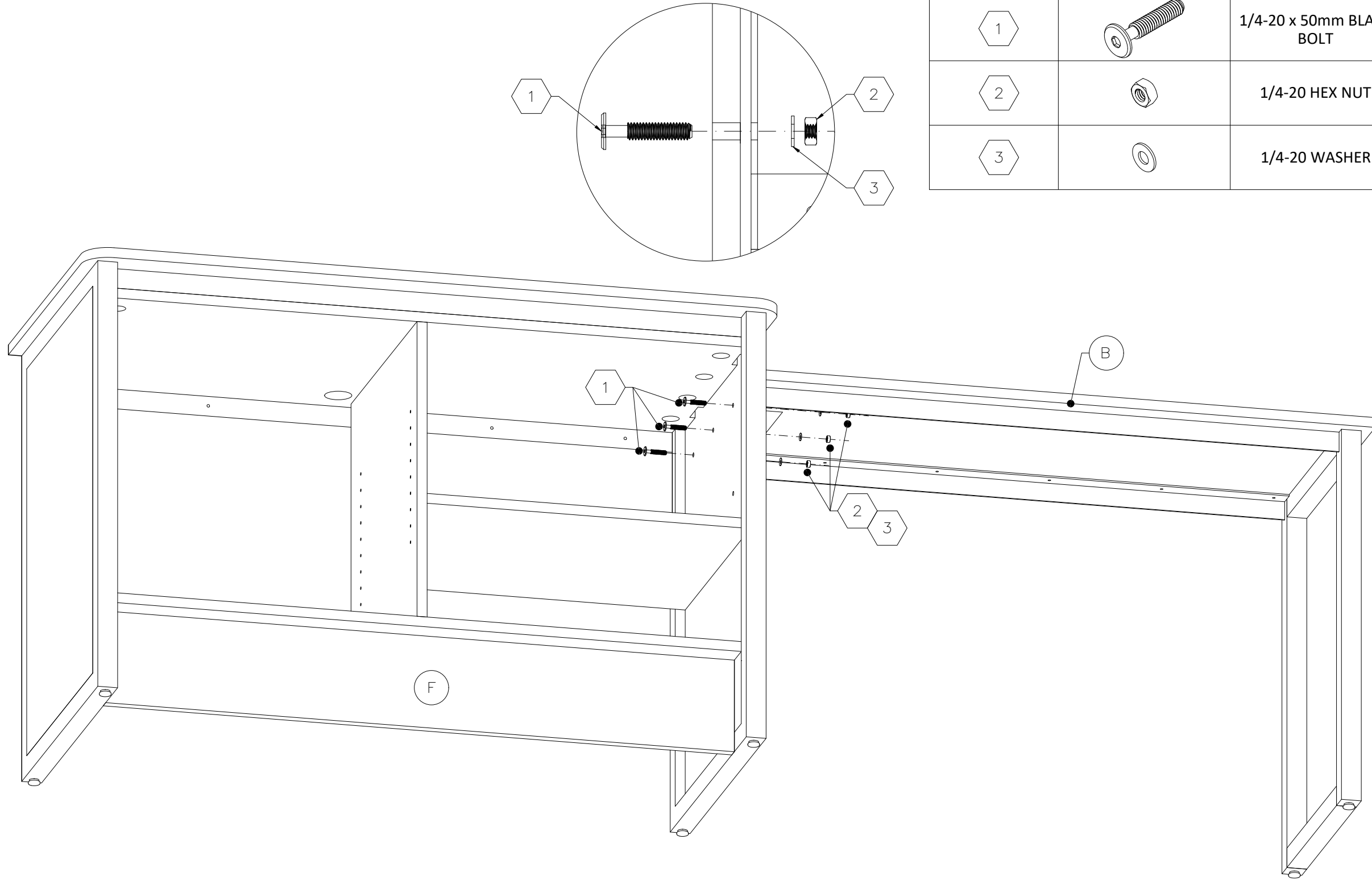
Original Issue:  
 2/20/26

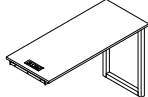

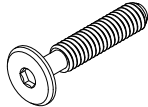


Scale:  
 AS NOTED

Job No.:  
 SL.417

Drawn:  
 AB

Drawing:  
 STEP 2



PART CALLOUT:	PART:	DESCRIPTION:	QTY:
(B)		X-216 - DESK	1
(F)		X-219 - TV CABINET	1
(1)		1/4-20 x 50mm BLACK BOLT	3
(2)		1/4-20 HEX NUT	3
(3)		1/4-20 WASHER	3



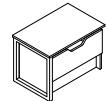
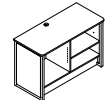
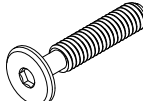
1089 Allen Street  
 Jamestown, NY 14701  
 Phone 716.664.2232  
 Fax 716.664.1511

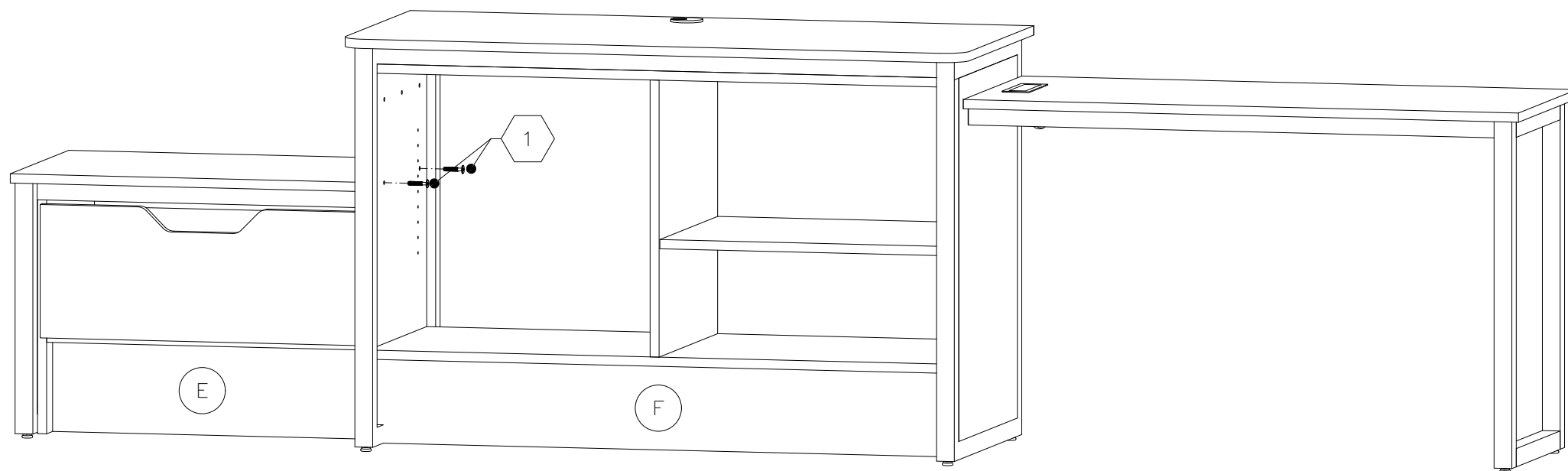


DESK UNIT  
 (X-216, X-217-129,  
 X-218, X-219)  
 STEP 3

Original Issue:  
 2/20/26  
 Scale:  
 AS NOTED  
 Job No.:  
 SL.417  
 Drawn:  
 AB

Drawing:  
 STEP 3

PART CALLOUT:	PART:	DESCRIPTION:	QTY:
E		X-218 - LUGGAGE BENCH	1
F		X-219 - TV CABINET	1
1		1/4-20 x 50mm BLACK BOLT	2



1089 Allen Street  
 Jamestown, NY 14701  
 Phone 716.664.2232  
 Fax 716.664.1511

**ARTONE**  
 FURNITURE BY DESIGN

DESK UNIT  
 (X-216, X-217-129,  
 X-218, X-219)  
 STEP 4

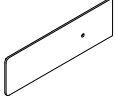
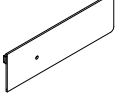
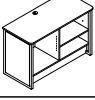
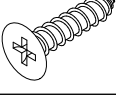
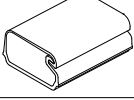
Original Issue:  
 2/20/26

Scale:  
 AS NOTED

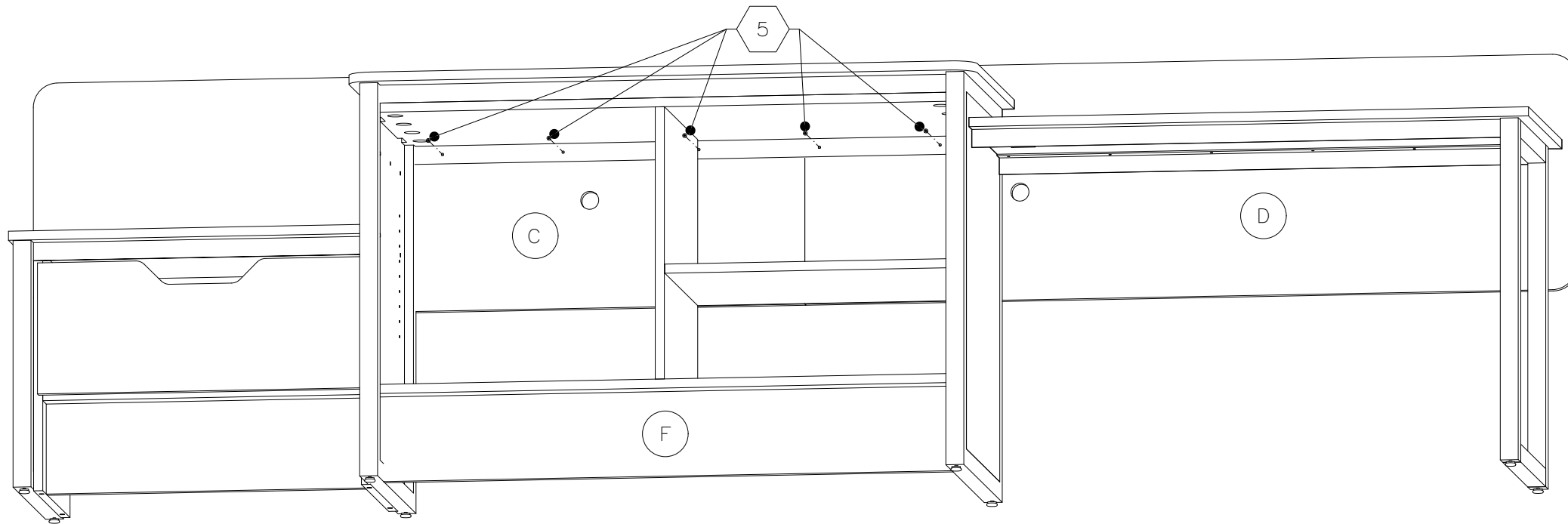
Job No.:  
 SL.417

Drawn:  
 AB

Drawing:  
 STEP 4

PART CALLOUT:	PART:	DESCRIPTION:	QTY:
C		X-217-129 - LEFT BACK PANEL	1
D		X-217-129 - RIGHT BACK PANEL	1
F		X-219 - TV CABINET	1
5		#8 x 5/8" (PPH) SCREW	5
6		WIRE MANAGEMENT CLIP	2

ATTACH **F** TO **C** & **D** WITH **5**



1089 Allen Street  
 Jamestown, NY 14701  
 Phone 716.664.2232  
 Fax 716.664.1511



DESK UNIT  
 (X-216, X-217-129,  
 X-218, X-219)  
 STEP 5

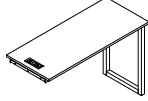
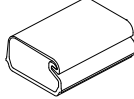
Original Issue:  
 2/20/26

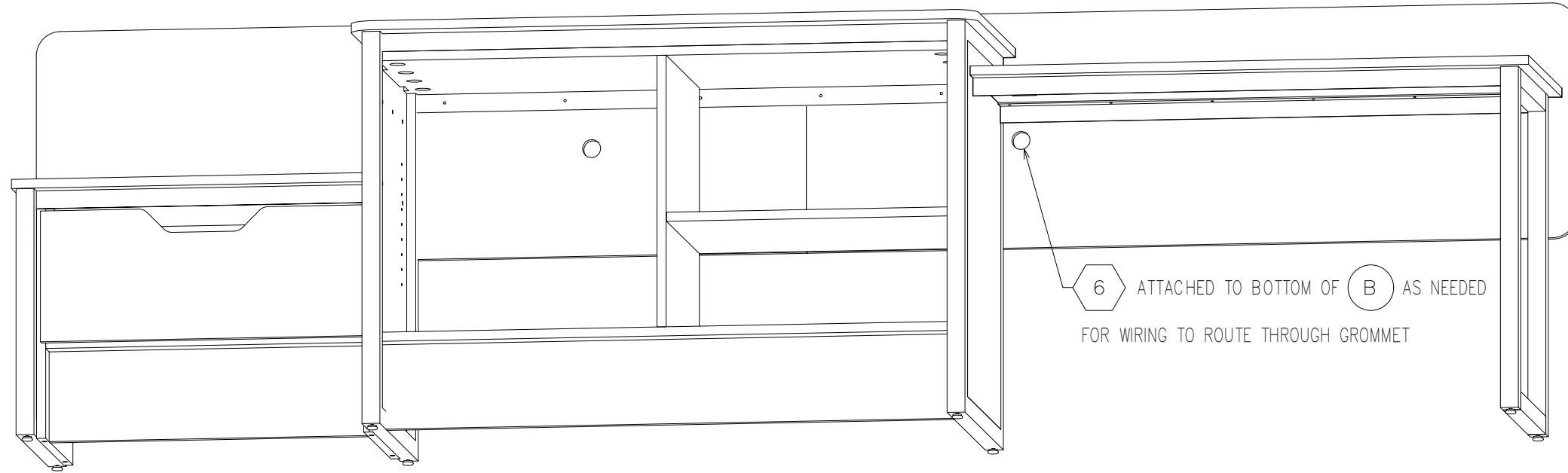
Scale:  
 AS NOTED

Job No.:  
 SL.417

Drawn:  
 AB

Drawing:  
 STEP 5

PART CALLOUT:	PART:	DESCRIPTION:	QTY:
(B)		X-216 - DESK	1
(6)		WIRE MANAGEMENT CLIP	2



1089 Allen Street  
Jamestown, NY 14701  
Phone 716.664.2232  
Fax 716.664.1511

**ARTONE**  
FURNITURE BY DESIGN

DESK UNIT  
(X-216, X-217-129,  
X-218, X-219)  
STEP 6

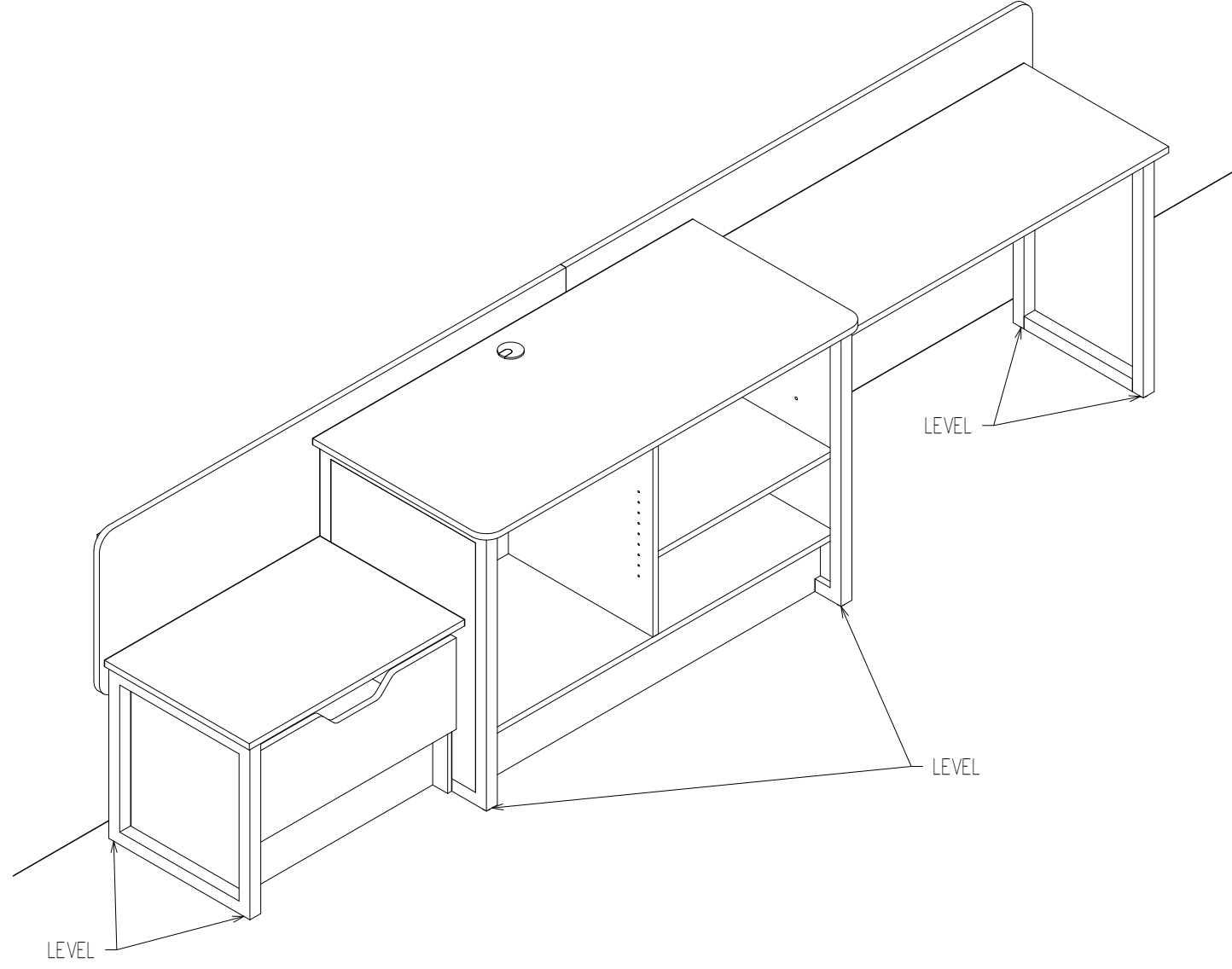
Original Issue:  
2/20/26

Scale:  
AS NOTED

Job No.:  
SL.417

Drawn:  
AB

Drawing:  
STEP 6



1089 Allen Street  
 Jamestown, NY 14701  
 Phone 716.664.2232  
 Fax 716.664.1511

**ARTONE**  
 FURNITURE BY DESIGN

DESK UNIT  
 (X-216, X-217-129,  
 X-218, X-219)  
 STEP 7

Original Issue:  
 2/20/26  
 Scale:  
 AS NOTED  
 Job No.:  
 SL.417  
 Drawn:  
 AB

Drawing:  
 STEP 7